

OCULAR ARM EXTENDER

INSTALLATION MANUAL



NOTE: GENERAL USER ADVICE

Not following these instructions may result in physical injury, damage to the product or damage to the environment!

IMPORTANT SAFETY INSTRUCTIONS

Make sure that the materials used and the installation procedures follow local building codes and safety standards. The information provided in this manual in no way exempts the user of responsibility to follow all applicable codes or safety standards. This document provides instructions for Ocular Arm and should not be used for any other product. Before installation or use of this product, review this manual carefully and consult with a licensed contractor, licensed electrician, or trained installation expert to make sure of compliance with local building codes and safety standards.

Do not use hoses or power washers on the frame components as this may remove the powder coating. Do not swing from or add any unexpected load to Ocular Arm. Only use in conjunction with a certified electric vehicle charge cable.

To prevent damage to Ocular Arm and avoid trapping fingers, **do not cut cable straps until after installation.**

To prevent serious injury or death, make sure all screws are tight and the device is secured to the wall.

To prevent serious injury or death, make sure that the electric power socket is grounded.

To reduce the risk of personal injury, do not bend the arms or brackets when installing or cleaning Ocular Arm.

Do not insert foreign objects into the Ocular Arm mechanisms.

There are no user-serviceable components in the Ocular Arm. Servicing and repairs are only to be carried out by Ocular personnel. Maximum load 10lbs.

WARNING



Finger Trap Hazard

Be aware of a finger trap hazard at all times. Be aware that the fingers of the operator or installer can get trapped as the arm closes and extends.



Strangulation Hazard

Children can strangle themselves on your EV charging cable

- Children can climb furniture to reach the Ocular Arm
- Shorten cables to prevent reach and keep all cables out of the reach of children
- Always wrap the cables around the Hook and keep them out of reach of children
- Keep all small parts, components and packaging away from children as they pose a potential choking hazard which may result in serious injury or death. Please reference all warning tags and labels in the instructions



Risk of Electric Shock

Basic precautions should always be followed when using electrical products in conjunction with Ocular Arm.

- This device should be supervised when used around children
- Do not use this product if your EV cable is frayed, has broken insulation, or any other signs of damage
- Do not use this product with an EV cable that is broken, cracked, open, or shows any other indication of damage
- The electrical socket you will connect your charging cable to must be grounded

TOOLS YOU WILL NEED

- P9/16" Socket Wrenches
- Scissors
- Dead Blow Hammer
- *May need step stool*

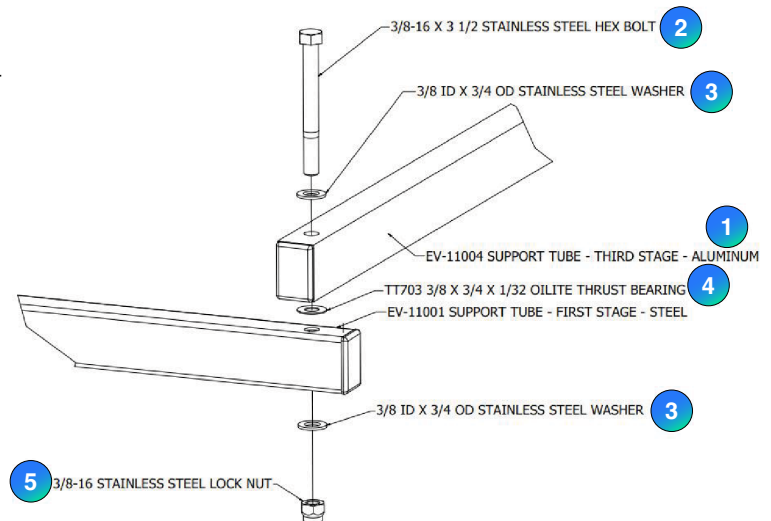
CHECK OCULAR ARM PARTS BEFORE COMMENCING

Carefully unpack the Ocular Arm box and confirm you have received all the parts and tools, and they have not been damaged during transit. Contact Ocular Customer Support if you find anything damaged from shipment, before installation.

OCULAR ARM EXTENDER PARTS

- [1] Aluminum Extension Tube
- [2] 3/8"-16 x 3 1/2" Stainless Steel Hex Bolt
- [3] 2 - 3/8" ID x 3/4" OD Stainless Steel Washer
- [4] 3/8" x 3/4" x 1/32" Brass Thrust Bearing
- [5] 3/8" - 16 Stainless Steel Lock Nut

Plastic End Cap



INSTALLATION NOTES

- To ensure the success of the installation, be sure to read the instructions and study the pictures carefully.
- Make sure that your installation location will not allow the Ocular Arm to come into contact with any object, and that there is a minimum clearance of 6 inches from the top of the arm to the ceiling or nearest object. Ensure when folded away, the arms will not come into contact with your vehicle or any other object, hooks, or screws or any other hazard that might disrupt the operation of the arm opening and closing.
- Make sure that all connections and screws are secured tightly.
- Because of Ocular Arm's natural movement, some connections may loosen. It is recommended that you check the fasteners monthly and ensure they are secured. If they are loose, tighten.

Note: The important safeguards and instructions given in this manual are not meant to cover all possible conditions and situations that may occur. It must be understood that common sense, caution and care are factors, which cannot be built into any product.

STEP 1 - REMOVE OCULAR ARM FROM WALL MOUNT BRACKET

- A. Secure the Ocular arms by wrapping with painters tape.
- B. Remove the Ocular Arm unit from the wall and place it on a table.

STEP 2 - ATTACH THE EXTENDER

- A. Use 9/16" Socket Wrenches to remove Nut, Bolt and Washers that attach the Hook. Save all items for reattachment later.
- B. Press the provided Plastic Cap into the end of the Steel Tube - use a dead blow hammer for best results.
- C. Thread a Stainless Steel Washer [3] onto the Stainless Steel Hex Bolt [2].
- D. Thread the Stainless Steel Hex Bolt [2] through the Aluminum Extension Tube [1]. Thread the Brass Thrust Bearing [4] onto the Stainless Steel Hex Bolt [2] and then through the Steel Tube.
- E. Now thread a Stainless Steel Washer [3] onto the bottom portion of the Stainless Steel Hex Bolt [2].
- F. Finally thread the Stainless Steel Lock Nut [5] onto the Stainless Steel Hex Bolt [2].
- G. Tighten the Stainless Steel Lock Nut [5] using 9/16" Socket Wrenches.
- H. Reinstall the hook onto the end of the Aluminum Extension Tube [1].

STEP 3 - REINSTALL THE OCULAR ARM ONTO THE WALL

- A. Collapse the Ocular Arm Unit into the most compact state. Wrap painter's tape around arms to secure them in place.
- B. Hang the Ocular Arm back onto the wall and re-attach fasteners.
- C. Cut through the tape with scissors and extend the arms.
- D. Install the velcro straps by wrapping them around the cable and Ocular Arm, leaving room for movement. Next, adjust your cable to the appropriate length allowing enough length for the end of your charger cable to hang down below the hook to reach your vehicle and then tighten the velcro straps.

CONGRATULATIONS, YOUR OCULAR ARM IS FULLY FUNCTIONAL AND READY TO GO!

Ocular Arm does not require routine maintenance however, periodic inspections should be conducted to ensure that all parts remain in good working order and no damage exists. Do not attempt to open, disassemble, repair, tamper with, or modify any components of the products – the products are not user serviceable. Contact Ocular Charging for any repairs.

TERMS OF WARRANTY

The warranty applies only when the product is used in accordance to the specified conditions and for the intended purposes, following all manufacturer's recommendations. Please contact sales@ocularcharging.com.au with your proof of purchase.